



Frontier™ 5513

High-Speed Micro Centrifuge



Compact Micro Centrifuge with Modern Touch-Wheel Interface Ideal for High-Speed Lab Applications

The FC5513 is a high-speed benchtop microliter centrifuge capable of generating $17,317 \times g$ with four optional rotors, designed for a range of essential lab applications. Engineered with convenient operation in mind, the FC5513 features a uniquely designed splash-proof front panel with touch-wheel control on an intuitive interface. The compact design saves valuable bench space in the lab.

Standard Features:

- **Select from a Variety of Rotors Designed for a Range of Lab Applications**—The FC5513 offers standard $24 \times 1.5/2$ mL microtube rotors with a biocontainment option. This centrifuge can also support spin columns and hematocrit capillary tubes when used with additional rotor options.
- **Modern Touch-Wheel Control on a Sleek Splash-Proof Interface**—Designed for ease of operation, the FC5513 features convenient control on a protective splash-proof interface, which allows for responsive operation—even when wearing gloves.
- **The Compact Design Saves Valuable Benchtop Space**—Enclosing all its functionalities within a small footprint of approximately only 24 cm/9 inches in width, the FC5513 saves valuable space on the lab bench.

Frontier™ 5513 High-Speed Micro Centrifuge

Sleekly designed interface enables smooth operation for a great user experience

- Easy-to-Use touch-wheel interface for parameter adjustments
- Convenient interface shows both set and actual parameters
- One-touch toggling between RPM/RCF, Acc/Dec
- Crisp display on a double-line LCD display with backlight



Solid engineering to ensure functionality and reliability

- True splash-proof panel protects the centrifuge from accidental sample spilling
- Maintenance-free induction motor produces maximum G-force of $17317 \times g$
- Speeds up to 13500 rpm in less than 15 seconds with microtubes
- 10 acceleration/deceleration settings
- 99 memory sets to quickly store and recall commonly used parameters
- Rotor imbalance sensing systems stops the unit when the loadings are imbalanced





Flexible rotor selections to cover essential laboratory applications


- Standard offer comes with $24 \times 1.5/2.0$ mL microtube rotors
- Compatible with 4 optional rotors, maximum capacity of $24 \times 1.5/2.0$ mL
- Support spin-column and hematocrit capillary through additional rotor options
- Biocontainment rotor available for safe handling of hazardous samples




Frontier™ 5513 Rotors and Accessories

	Order No.	30472301		
	Description	Rotor, Angle, 24 × 1.5/2.0 mL, V2		
	Max. Speed	13500 rpm		
	Max. RCF	17317 × g		
Accessories				
Order No.	Description	Vol./Tube	Diameter	Tube type
Without Adapter	Rotor, Angle, 24 × 1.5/2.0 mL, V2	1.5/2.0 mL	11 mm	Microtube
30130885	Adapter, 1 × 0.5 mL D8 mm, 6/pk	0.5 mL	8 mm	Microtube
30130884	Adapter, 1 × 0.2/0.4 mL D6 mm, 6/pk	0.2/0.4 mL	6 mm	Microtube

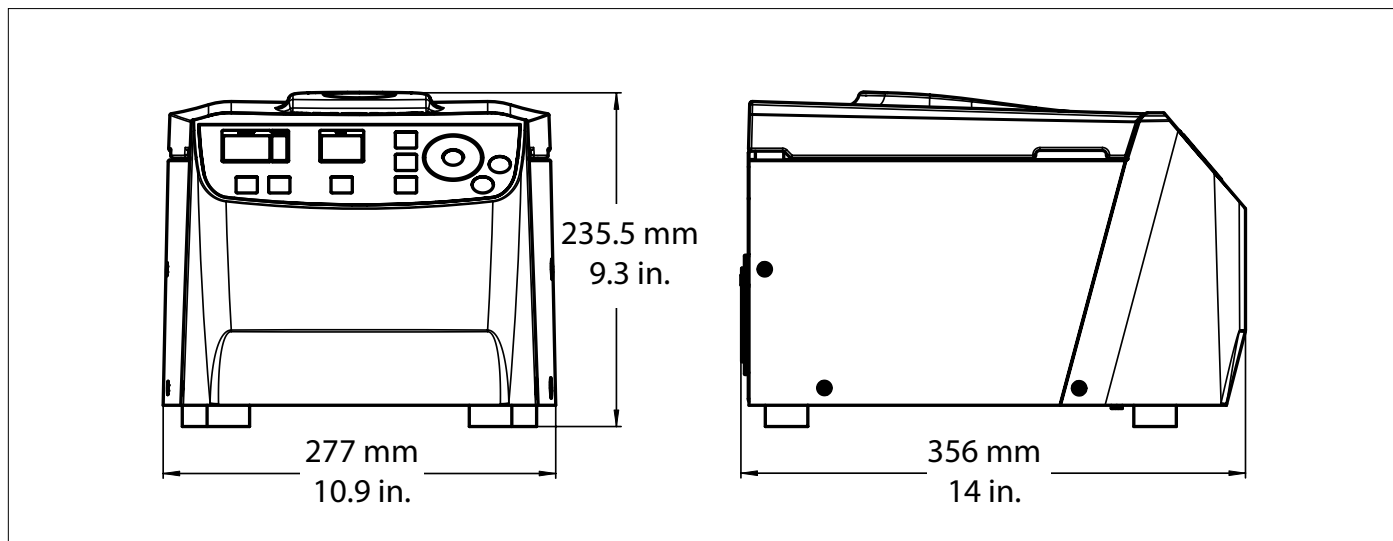
	Order No.	30472302		
	Description	Rotor, Angle, 24 × 1.5/2.0 mL, Sealable, V2		
	Max. Speed	13500 rpm		
	Max. RCF	17317 × g		
Accessories				
Order No.	Description	Vol./Tube	Diameter	Tube type
Without Adapter	Rotor, Angle, 24 × 1.5/2.0 mL, Sealable, V2	1.5/2.0 mL	11 mm	Microtube
30130885	Adapter, 1 × 0.5 mL D8 mm, 6/pk	0.5 mL	8 mm	Microtube
30130884	Adapter, 1 × 0.2/0.4 mL D6 mm, 6/pk	0.2/0.4 mL	6 mm	Microtube

	Order No.	30472303		
	Description	Rotor, Angle, 18 × 2 mL SC*		
	Max. Speed	13500 rpm		
	Max. RCF	15484 × g		

*SC-Spin Column

	Order No.	30472304		
	Description	Rotor, Hematocrit, 24 × Capillaries, V2		
	Max. Speed	13000 rpm		
	Max. RCF	16058 × g		

Dimensions



Frontier™ 5513 High-Speed Micro Centrifuge

Model	FC5513
Speed Range	200 rpm – 13500 rpm; 10 rpm/set
Maximum RCF	17317 × g; 10 × g/set
Maximum Capacity (Rotor)	24 × 1.5/2.0 mL
Temperature Range	Air cool
Running Time	Quick Spin, 10 sec to 99 hr 59 min 59 sec, or continuous
Noise Level	≤ 60 dB(A)
Acc/Dec Levels	10
Allowable Density at Maximum Speed	1.2 g/mL
Allowable Kinetic Energy	2129 Nm
AC Power	120 – 230 V ~ 50/60 Hz
Voltage Fluctuation	± 10%
Current Consumption	1.9 A
Power Consumption	170 W
Dimensions (W × D × H)	10.9 × 14.0 × 9.3 in. / 277 × 356 × 236 mm
Net Weight (with rotor)	27.8 lb / 12.6 kg
Shipping Dimensions (W × D × H)	14.6 × 18.5 × 13.4 in. / 370 × 470 × 340 mm
Shipping Weight (with rotor)	30.9 lb / 14.0 kg
Environment	For indoor use only

Other Standard Features and Equipment

Ten acceleration and ten deceleration rates, pre-selection of running time from 10s to 99h 59min or continuous, audible signal at the end of each run with melody options, quick spin for short runs

Compliance

- **Product Safety:** IEC/EN 61010-1; IEC/EN 61010-2-020
- **Electromagnetic Compatibility:** IEC/EN 61326-1 Class B, Basic environments; FCC Part 15 Class B
- **Compliance Mark:** CE

Ordering Information

Type	Order No.	Description
Centrifuge	30393188	Centrifuge, Micro, 120V, FC5513 (no rotor included)
	30370692	Centrifuge, Micro, 120V, FC5513 and Rotor, 24 × 1.5/2.0 mL Angle (30472301) included
	30393187	Centrifuge, Micro, 230V, FC5513 (no rotor included)
	30370691	Centrifuge, Micro, 230V, FC5513 and Rotor, 24 × 1.5/2.0 mL Angle (30472301) included
Rotor	30472301	Rotor, Angle, 24 × 1.5/2.0 mL, V2
	30472302	Rotor, Angle, 24 × 1.5/2.0 mL, Sealable, V2
	30472303	Rotor, Angle, 18 × 2 mL Spin Columns
	30472304	Rotor, Hematocrit, 24 × Capillaries, V2
Accessories	30130885	Adapter, 1 × 0.5 mL D8 mm, 6/pk
	30130884	Adapter, 1 × 0.2/0.4 mL D6 mm, 6/pk

80775535 20180914 © Copyright OHAUS Corporation





Wolflabs

Wolf Laboratories Limited

www.wolflabs.co.uk

Tel: 01759 301142

Fax: 01759 301143

sales@wolflabs.co.uk



Use the above details to contact us if this literature doesn't answer all your questions.

Pricing on any accessories shown can be found by keying the part number into the search box on our website.

The specifications listed in this brochure are subject to change by the manufacturer and therefore cannot be guaranteed to be correct. If there are aspects of the specification that must be guaranteed, please provide these to our sales team so that details can be confirmed.

